



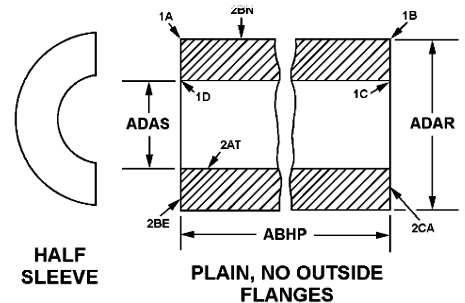
Program Overview and Objectives: The Integrated Casting Order Network (ICON) is an online program developed by the Non-Ferrous Founders' Society (NFFS) as part of the American Metalcasting Consortium (AMC). The prime objective of ICON is to establish a marketplace that links Defense Logistics Agency (DLA) procurement manufacturing requirements for critical cast components to a responsive and capable supply base that is able to deliver high quality cast parts in a timely and cost-effective manner.

SUCCESS STORY

Problem: Procuring high quality and cost-efficient components for legacy DoD weapon systems can be a challenge for DLA due to the historically small quantities ordered, infrequent procurements, and a diminishing manufacturing base. These factors also affect the administrative and production lead times required to effectively produce the required components, which can make it difficult for DLA to provide parts in a timely manner for requesting agencies.

Solution: ICON allows casting suppliers to quickly and easily review relevant solicitations and, if available, locate existing casting tooling. A recent example is when DLA was looking to procure a Half-Sleeve Bearing component to support the Ohio-class nuclear-powered ballistic missile Trident submarine. Through the use of ICON, DLA was able to procure the cast components from a Massachusetts-based foundry.

Benefits: By utilizing multiple features of ICON, DLA was able to procure the components for 25% less, at an approximate savings of \$35k, versus previous procurements of the same order quantity.



“Thanks to the ICON program, our sand castings are able to be tailored to meet the requirements needed for demanding applications, with shape and tooling flexibility. The submission of a proposal in response to DLA opportunities based on research done in ICON has significantly enhanced our ability to submit winning bids.”

--- Jeff Bureck, President, D.W. Clark